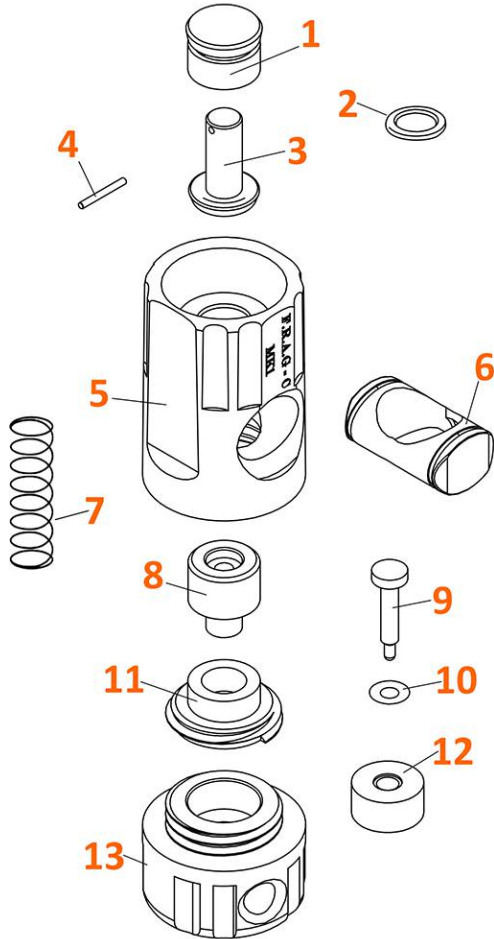




SOME TOOLS MAY BE REQUIRED

NYLON HAMMER 

17MM WRENCH 



- 1..... TRIGGER WEIGHT
- 2..... TRIGGER O'RING
- 3..... TRIGGER BAR
- 4..... RETAINING PIN
- 5..... MAIN BODY
- 6..... SLIDER
- 7..... MAIN SPRING
- 8..... FIRING PIN CARRIER
- 9..... FIRING PIN
- 10... PLASTIC WASHER(S)
- 11..... BOTTOM PLATE
- 12..... SSB INSERT
- 13.... SINGLE SHOT BASE



WARNING: This product is intended for use by those 18 years of age or older. Read all instructions prior to assembly and use. Failure to follow instructions and/or usage other than the intended purpose may cause serious injury or death. Ear and eye protection must be worn at all times by persons within the vicinity during use. Do not modify this product in any way. Follow all applicable laws and regulations during use.



CAREFULLY HAMMER THE SSB INSERT (12) INTO THE SINGLE SHOT BASE (13) USING A NYLON HAMMER UNTIL IT IS FLUSH WITH THE BASE (SEE NEXT IMAGE).



THE INSERT SHOULD BE FLUSH WITH THE BASE.



INSERT THE TRIGGER BAR (3) INTO THE MAIN BODY (5) UNTIL THE SHAFT WITH THE 3MM HOLE SHOWS AT THE TOP OF THE MAIN BODY.



THE 3MM HOLE WILL BE VISIBLE AT THE TOP OF THE TRIGGER BAR.



ATTACH THE TRIGGER WEIGHT (1) ONTO THE TRIGGER SHAFT (3) AND LINE UP THE HOLES FOR RETENTION PIN INSERTION.



INSERT THE RETAINING PIN (4) INTO THE TRIGGER WEIGHT UNTIL IT IS FLUSH BOTH SIDES (SEE NEXT IMAGE).

7



RETENTION PIN SHOULD BE FLUSH WITH THE TRIGGER WEIGHT.

8



ONCE THE RETENTION PIN IS FLUSH, STRETCH THE TRIGGER O'RING ONTO THE TRIGGER WEIGHT TO HOLD THE RETENTION PIN IN PLACE.

9



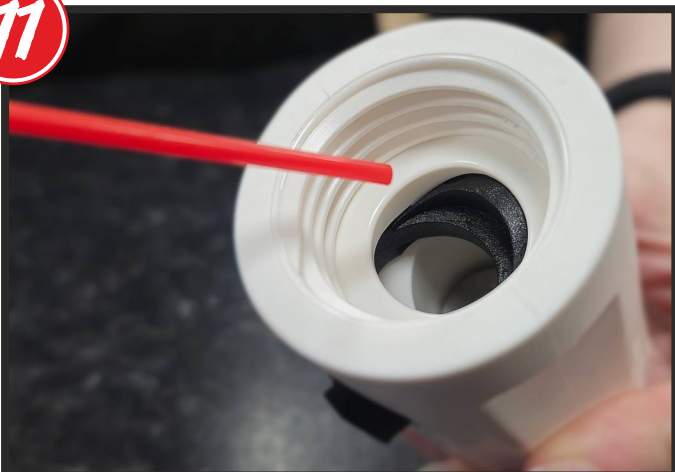
CHECK THE SLIDER AND YOU SHOULD SEE A RIDGE ON ONE SIDE OF THE SLIDER. INSERT THE SLIDER WITH THE RIDGE FACING TOWARDS THE TOP OF THE MAIN BODY. (SEE NEXT IMAGE).

10



THE RIDGE WILL BE FACING UP WHEN LOOKING AT THE BOTTOM OF THE MAIN BODY. IF IT IS THE WRONG WAY ROUND THE SAFETY WILL NOT ENGAGE PROPERLY WHEN FIRING PIN CARRIER IS ADDED.

11



A SMALL SPRAY OF SILICONE ONTO THE SLIDER AND THREAD WILL MAKE MOVEMENT OF THE SLIDER AND BASE EASIER. NOT A REQUIREMENT BUT WILL HELP THE MOVING PARTS.

12



ADD 3* PLASTIC WASHERS (10) ONTO THE FIRING PIN (9). *ADD MORE OR LESS BASED ON SAFETY SWITCH TENSION PREFERENCE.

13



WASHERS ON THE FIRING PIN SHOULD LOOK LIKE THIS.

14



INSERT THE FIRING PIN AND WASHERS INTO THE FIRING PIN CARRIER (8).

15



THE FIRING PIN AND WASHERS SHOULD BE PUSHED FULLY INTO THE FIRING PIN CARRIER. IT SHOULD NOT BE FLUSH.

16



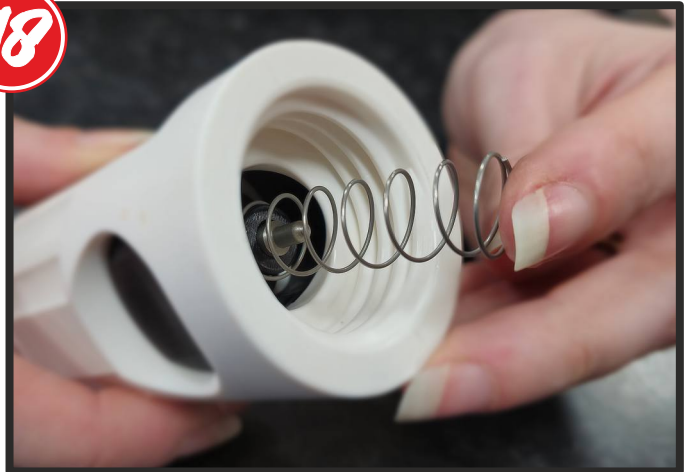
INSERT THE FIRING PIN CARRIER INTO THE MAIN BODY WITH THE PIN FACING UP TOWARDS THE BOTTOM OF THE FRAG. PUSH THE FIRING PIN CARRIER ALL THE WAY IN UNTIL IT TOUCHES THE TRIGGER BAR.

17



THE FIRING PIN CARRIER AND SLIDER SHOULD LOOK LIKE THIS IF THE SLIDER IS PUSHED ONTO SAFE. MAKE SURE YOU GET THE 'CRESCENT MOON' OF THE SLIDER FOR IT TO BE CORRECT.

18



ADD MAIN SPRING (7) INTO THE MAIN BODY. THIS SHOULD PUSH OVER THE PIN CARRIER AND REST ON THE PIN CARRIER.

19



ADD THE BOTTOM PLATE (11) ONTO THE MAIN SPRING AND PUSH ONTO THE MAIN BODY AND SCREW DOWN CLOCKWISE WITH FINGERS.

20



USE A 17MM HEX NUT TO TIGHTEN BOTTOM PLATE. WARNING! DO NOT OVER TIGHTEN THE BOTTOM PLATE.

21



THE PLATE SHOULD BE FINGER TIGHT AND NOT SHOW THE PIN PROTRUDING THROUGH.

22



ATTACH YOUR SINGLE SHOT BASE. YOU ARE NOW COMPLETE.

CONGRATULATIONS ... YOU'RE ALL DONE!
NOW INSERT A 209 PRIMER AND GO OUT WITH A ...



WARNING: This product is intended for use by those 18 years of age or older. Read all instructions prior to assembly and use. Failure to follow instructions and/or usage other than the intended purpose may cause serious injury or death. Ear and eye protection must be worn at all times by persons within the vicinity during use. Do not modify this product in any way. Follow all applicable laws and regulations during use.